



16" IVP 250 Valve Body Installation Instructions

IMPORTANT: Read installation instructions before installing valve body.
Failure to follow installation instructions will void product warranty.

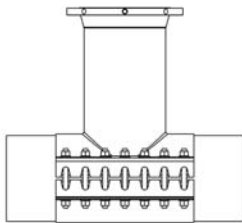


Figure 1

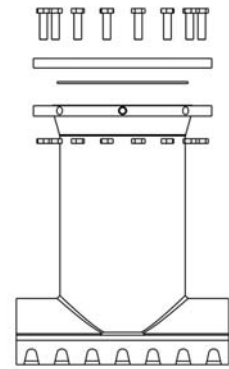


Figure 2

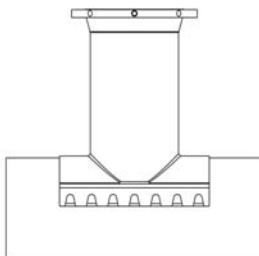


Figure 3

INSTALLATION INSTRUCTION STEPS

- 1) Inspect the IVP 250 valve body and valve cartridge to ensure no damage has occurred in transit (see figure 1 showing valve body mounted on pipe).
- 2) Unbolt and remove the top flange of the valve body and store the o-ring, nuts and bolts in a place they will be free from debris (see figure 2).
- 3) Check the outside diameter of the pipe and valve body clamp to confirm the correct size IVP is on hand for the installation.
- 4) Thoroughly clean the surface of the pipe over the area the IVP is to be installed.
- 5) Check the surface of the pipe where the gasket of the valve body is to seal to be sure there are no gouges, flaws or extreme irregularities that would compromise a drip tight seal.
- 6) Lubricate the pipe and valve body gasket with soapy water. Do not use grease or pipe lubricant.
- 7) Using lift support, position the valve body onto the pipe in the position it is to be installed in so that adjusting of the valve's position is not necessary (see figure 3). A level should be used to check the orientation of the valve body flange during positioning. If repositioning is necessary lift the valve body off the pipe and retry. Do not rotate the valve body once it is on the pipe as this can cause damage to the gasket. **NOTE:** Placing two bolts into the valve body flange, 180° apart and placing a strap over each bolt and above the flange is the recommended method of lifting.
- 8) Place the bottom sleeve of the valve body into position, underneath the pipe.
- 9) Install the bolts, nuts, and washers into the lug bar slots on the top and bottom sections of the valve body. A double set of washers is to be installed between each nut and the lug bars.

NOTE: The stainless steel hardware is to be kept clean and free from nicks. Debris and thread damage can cause the nut to seize on the stud. The use of a pneumatic wrench or similar can also cause the nuts to seize and is not to be used.

Questions? Call 800.538.7867



Installation Instructions and Best Practices continued on back

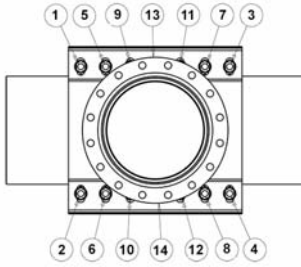


Figure 4

10) Once the nuts are hand tight, tighten the outside nuts first and work toward the center using a torque wrench (see Figure 4). Tighten nuts evenly and alternate from one side of the valve to the other. The gaps between the top and bottom sleeves are to be equal on both sides (within 1/8"). Nuts are to be torqued to the values provided below. Be sure to follow this tightening procedure to properly load the gasket.

Torque for CI / DI / Steel Pipe: 75 ft-lbs

Torque for PVC Pipe: 55 ft-lbs

Torque for AC Pipe: 75 ft-lbs

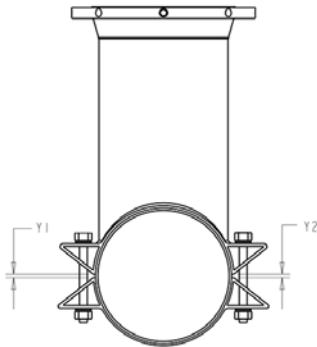


Figure 5

Critical Step: Mounting the valve with equal gaps (1/8") on each side allows proper cutter travel during tapping and gate travel during valve operation. See Figure 5.

11) Visually inspect inside of the valve to ensure the gasket on the inside of the top sleeve has remained in place. Check to ensure the depth of the pins threaded into the valve body flange are flush with the inside diameter of the flange.

12) After mounting valve body on pipe, perform a hydrostatic pressure test as detailed in the *IVP 250 Installation and Operating Instructions* - section 2 - Pressure Test Valve Body.

13. Recheck torque after pressure test.

IVP 250 VALVE BODY - INSTALLATION BEST PRACTICES

- Keep nuts and bolts clean and free of debris.
- Adequately lubricate pipe and valve body gasket with soap/water solution paying special attention to AC pipe. Ensure branch gasket is adequately lubricated. Do not use grease or pipe lubricants.
- Avoid rotating top half of valve body once placed on pipe.
- Tighten nuts equally in no more than 25 ft-lb increments.
- Wait at least 10 minutes before re-tightening bolts.
- Ensure gaps between top half and bottom half of valve body are the same front to back and side to side (Within 1/8").
- Check final torque with a torque wrench to ensure adequate torque has been applied to valve body bolts.
- Do not use a pneumatic wrench to tighten bolts.
- Hydrostatically pressure test a minimum of 1.25 times the system pressure or a maximum of 1.5 times the rated working pressure of valve.
- Block/Support the pipe before installing the tapping machine.



144 Tower Drive, Suite A, Burr Ridge, IL 60527
 Phone: 708-389-5111 Fax: 708-389-5125
 Toll Free: 1-800-538-7867

Call Hydra-Stop for Technical Support at 800.538.6867 and visit us on the web at www.Hydra-Stop.com

Specifications subject to change without notice.