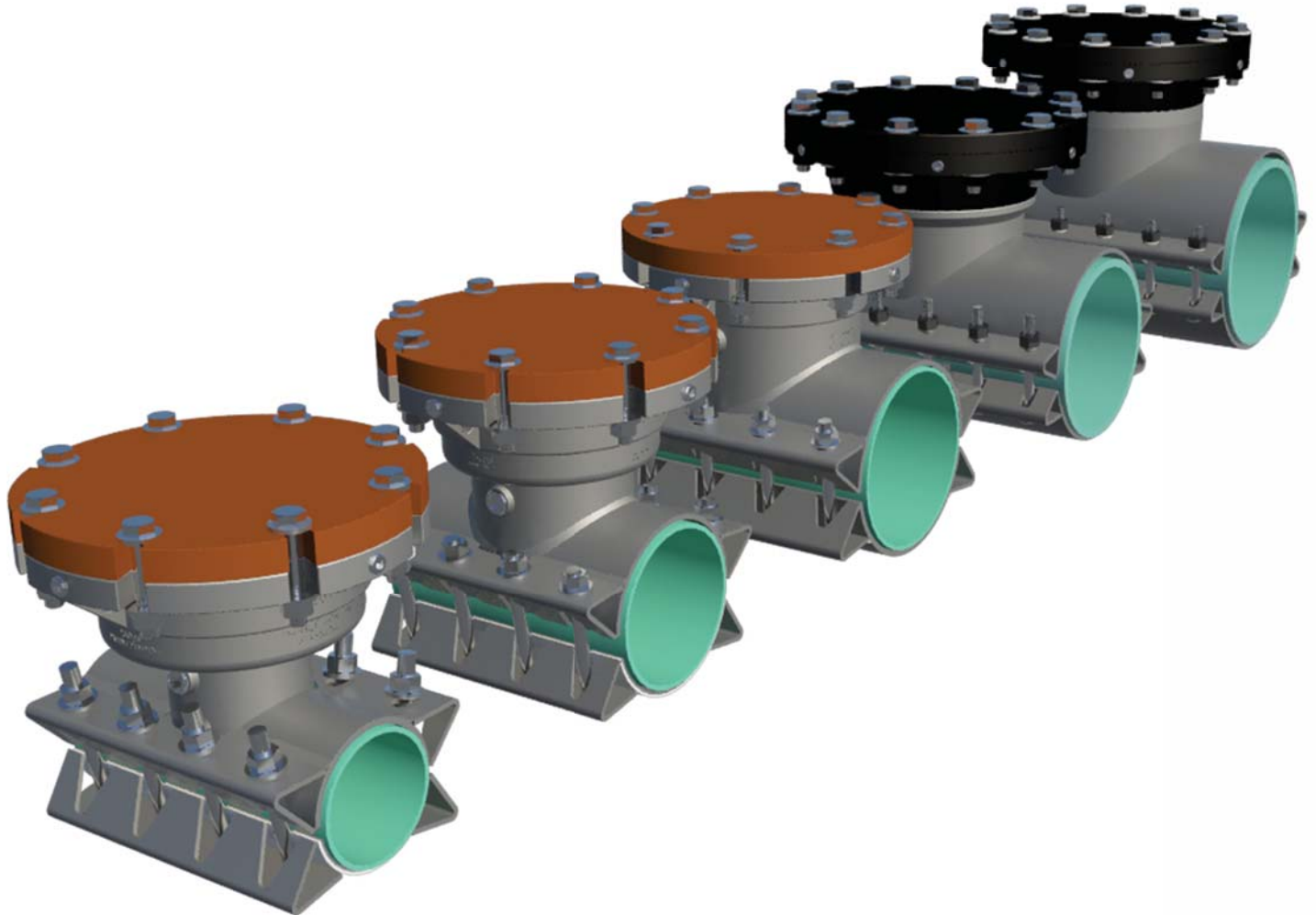


HSF 250 PATRIOT™

4 - 12" HEAVY DUTY LINE STOP FITTING



**HYDRA-STOP**[®]
SOLUTIONS FOR CONTROL



United States Patent No. 9,829,141

10 Reasons to Specify Hydra-Stop

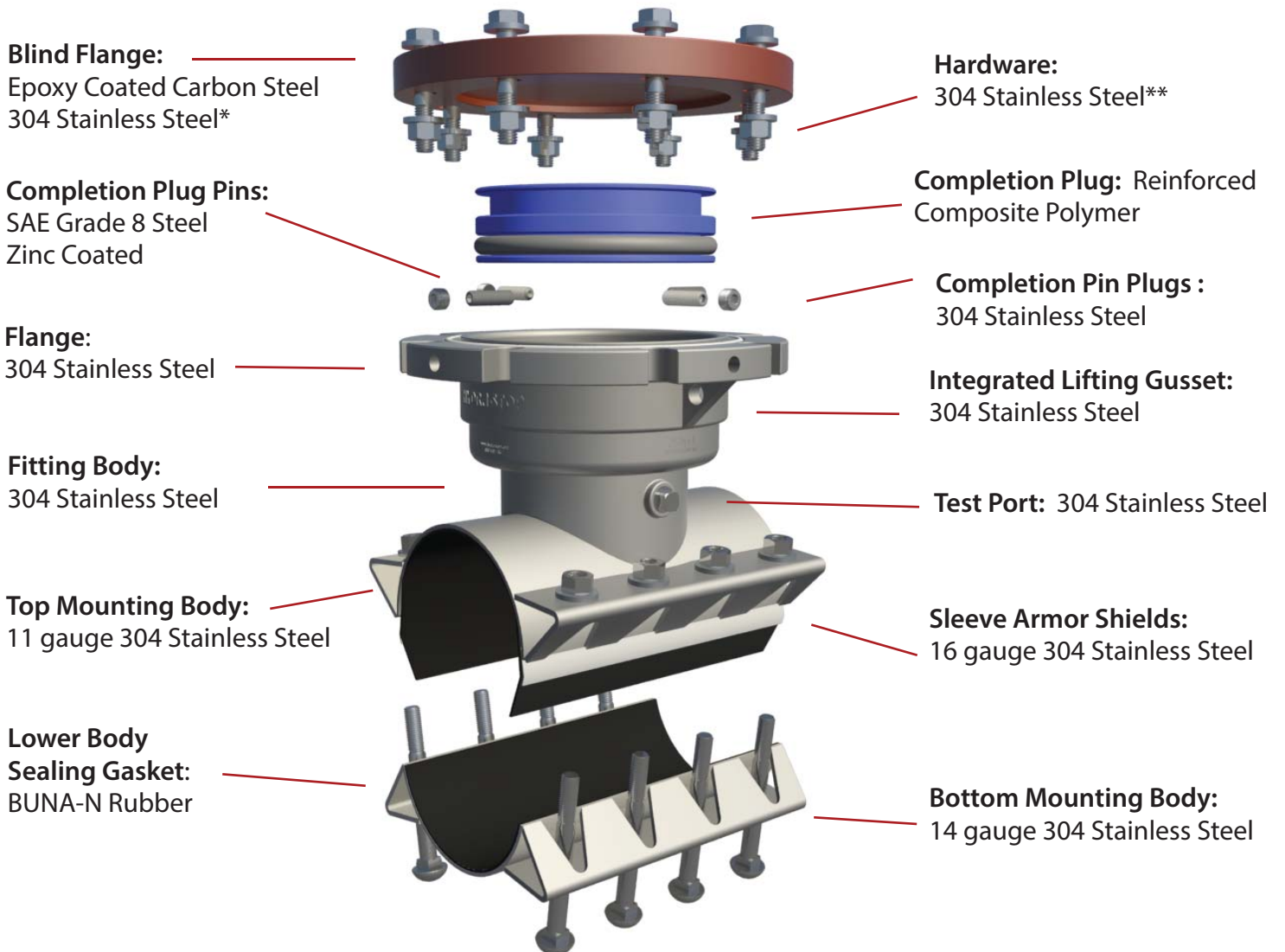
Hydra-Stop Feature	Points of Difference to Competitors	Customer Benefit
250 PSI	250 PSI working pressure.	Increased Installation Opportunities
Stainless Steel Construction	Improved corrosion resistance.	Quality Assurance and Increased Installation Opportunities
Manufactured in the USA	The HSF 250 Line Stop Fitting is manufactured in the USA and meets requirements specified in the "Buy American Act." Meets "American Iron and Steel", "Made in USA" and "Buy America" requirements with the additional purchase of stainless steel domestic hardware.	Increased Installation Opportunities, Improved Delivery and Quality Assurance
NSF 61 / NSF 372	The HSF 250 is NSF/ANSI Standard 61 and NSF/ANSI Standard 372 to meet the regulatory requirements for the U.S. and Canada assuring safe use in drinking water systems. (10 & 12 inch certification pending)	Increased Installation Opportunities and Quality Assurance
Factory Pressure Tested	Each HSF 250 is pressure tested and serialized for traceability before leaving our manufacturing facility.	Quality Assurance, Trouble Free Installation and Emergency Management
Qualifies for Hydra-Ship	Same day shipping on qualifying products if ordered by 12:00 PM Central Time.	Increased Installation Opportunities, Inventory Reduction and Emergency Management
Hydra-Stop Flange	HSF 250 flange is engineered to operate with Hydra-Stopper installation equipment and is a critical component of the Hydra-Stop System.	Reduced Installation Time, Trouble Free Installation, Warranty Protection and Adaptor Flange Elimination
"Push and Pin" Completion Plug	HSF 250 completion plug installs into place with minimum effort. Push, pin and complete. Standard size completion plug fits 4"-8" HSF 250 Patriot Line Stop Fittings.	Reduced Installation Time, Elimination of Cross-Threading, Simplified Re-Stopping and elimination of "Dry Runs"
Redesigned Packaging	Product and hardware packaging engineered to simplify line stopping procedure.	Reduced Installation Time, Trouble Free Installation
Access to Hydra-Stop Training and Technical Support	Hydra-Stop, with over 30 years of experience, is the only manufacturer who produces line stop fittings, line stop equipment and commands the technical expertise and experience to completely support your installation procedure.	Trouble Free Installation, Warranty Protection and Quality Assurance

Compare for Yourself

When specifying your next line stop fitting, specify the **HSF 250 Patriot Line Stop Fitting**. The HSF 250 Patriot is the **ONLY** line stop fitting which offers all the following features as standard:

Hydra-Stop Feature	HSF 250 Patriot Series	Competition
250 PSI		
Stainless Steel Construction		
Meets "Buy American" Requirements		
NSF 61 / NSF 372		
Factory Pressure Tested		
Qualifies for Hydra-Ship		
Hydra-Stop Flange		
"Push and Pin" Completion Plug		
Redesigned Packaging		
Access to Hydra-Stop Training and Technical Support		

HSF 250 Patriot™ Materials



HSF Design Features

Factory Pressure Test: Each HSF 250 is pressure tested and serialized for traceability before leaving our manufacturing facility.

Integrated Lifting Gussets: Incorporated to eliminate handling and safety concerns.

HSF 250 Test and Working Pressures: 375 psi test pressure max. 250 psi working pressure.

Welds: Welds fully passivated for improved corrosion resistance.

Flange: The HSF 250 flange is engineered to operate with Hydra-Stopper installation equipment and is a critical component of the Hydra-Stop System. It reduces installation time and eliminates the need for an adaptor flange.

HSF 250 Patriot: Built in the USA

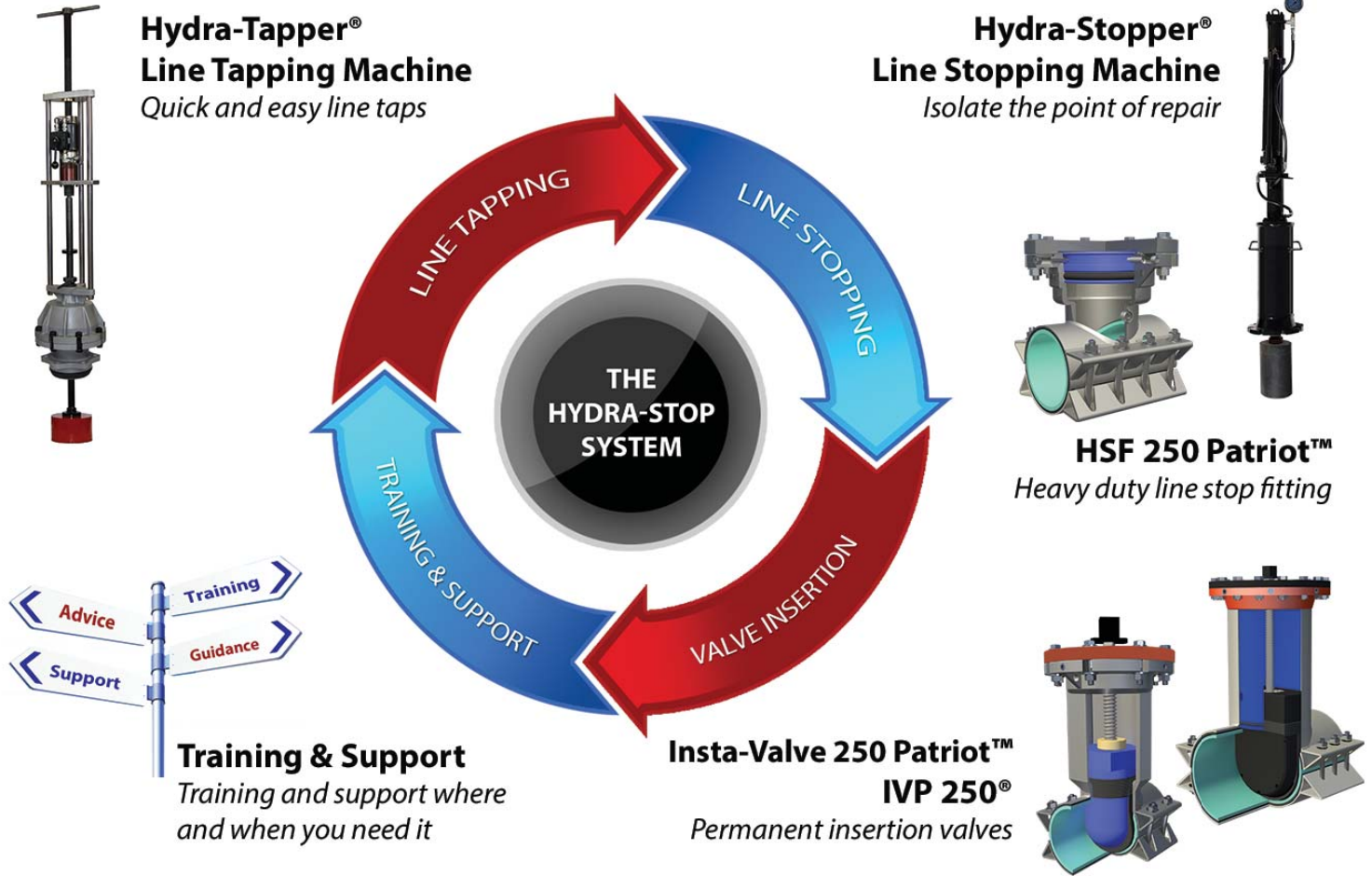
The HSF 250 Patriot Linestop Fitting is manufactured in the USA and meets requirements specified in the "Buy American Act." Meets "American Iron and Steel," "Made in USA" and "Buy America" requirements with the additional purchase of stainless steel domestic hardware.

When the project calls for meeting AIS requirements, specify the HSF 250 Patriot Line Stop Fitting.

*Domestic Stainless Steel Bonnet available at additional cost.

** Domestic Stainless Steel Hardware available at additional cost.

The Hydra-Stop System



Specify the Hydra-Stop System

- The only complete and integrated tapping, stopping and valve insertion system which allows under pressure pipe maintenance and repair on water, wastewater and other fluid systems without interrupting service or requiring system shutdown.
- Available expansion kits allow system to expand in scale and function reducing the capital equipment investment of end users by 30%.
- Over 30 years of industry leading experience in engineering, manufacturing and providing comprehensive technical support ensuring trouble free operations from project planning to completion.

HYDRA-STOP®
SOLUTIONS FOR CONTROL

144 Tower Drive, Suite A, Burr Ridge, IL 60527
Phone: 708-389-5111 Fax: 708-389-5125
Toll Free: 1-800-538-7867

Visit us on the Web at www.hydra-stop.com

Prices and Specifications subject to change without notice.