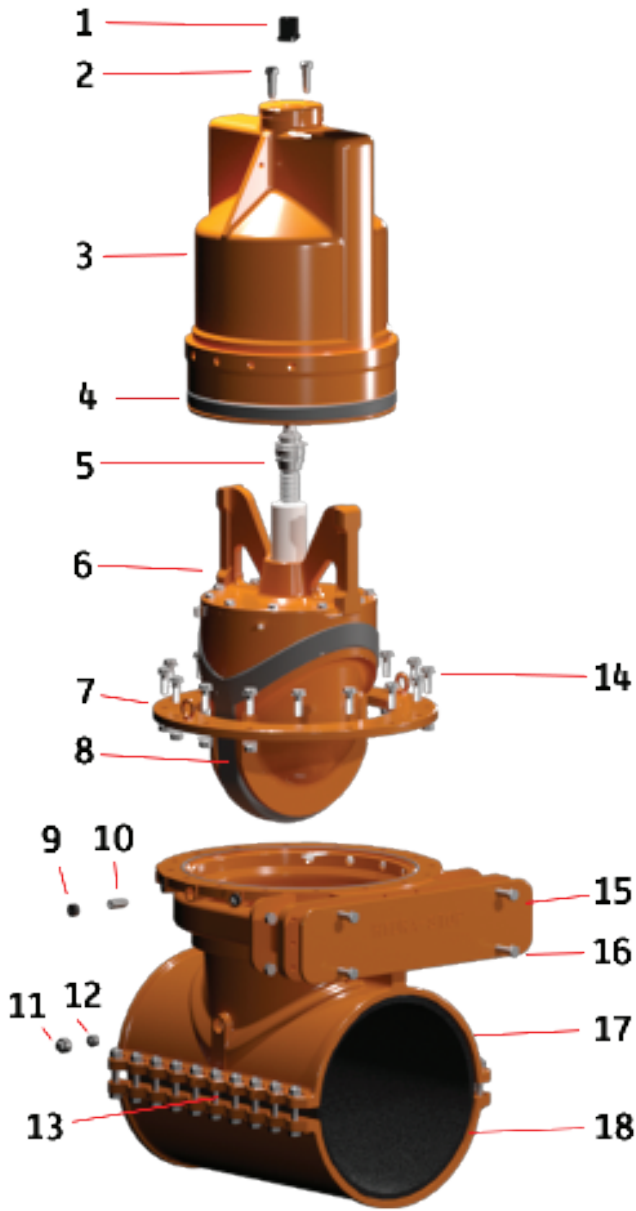


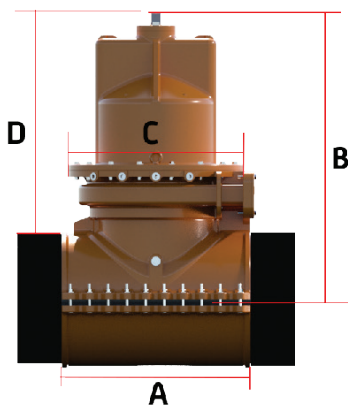
INSTA-VALVE 20-24

Valve Insertion System - 20- and 24-Inch Nominal Sizes

Product Cut Sheet - Insta-Valve 20-24



Item	Name	Material	Qty.
1	Operating Nut	Steel, Cast	1
2	Bonnet Cover Bolts	Stainless Steel	4
3	Bonnet Cover	Ductile Iron	1
4	Seal Ring	SBR Rubber	1
5	Feed Screw	Stainless Steel	1
6	Valve Cartridge Assembly	Various	1
7	Bonnet Flange	Ductile Iron	1
8	Resilient Wedge	SBR Rubber	1
9	Set Pin Cover Plug	Steel, S25C	20" valve - 6 24" valve - 8
10	Set Pin	Stainless Steel	20" valve - 6 24" valve - 8
11	Seal Plug Cover	Stainless Steel	1
12	Seal Plug	Stainless Steel	1
13	Valve Mounting Hardware (Bolts, Nuts, Washers)	Stainless Steel	20" valve: Bolts - 18 Nuts - 18 Washers - 36 24" valve: Bolts - 22 Nuts - 22 Washers - 44
14	Bonnet Flange Hardware	Stainless Steel	Bolts - 16 Nuts - 16 Washers - 32
15	Gate Valve Cover	Ductile Iron	1
16	Gate Valve Cover Bolts	Stainless Steel	4
17	Upper Valve Body	Ductile Iron	1
18	Lower Valve Body	Ductile Iron	1



Dimensions					
Size	A	B	C	D	Approx. Weight
20"	35.5"	52.5"	32.5"	42"	2,228 lbs
24	39.5"	60.5"	36"	47"	3,139 lbs

Other Specifications
Valve Body Minimum Test Pressure: 1.5 times system working pressure
Valve Body Maximum Test Pressure: 225 psi, Maximum Working Pressure: 150 psi
Coatings: Inside - .3 mm epoxy-powder coating. Outside - .25 mm epoxy powder coating

Proprietary Information: This property of Hydra-Stop shall not be used, reproduced or distributed without written consent. All design and invention rights are reserved.