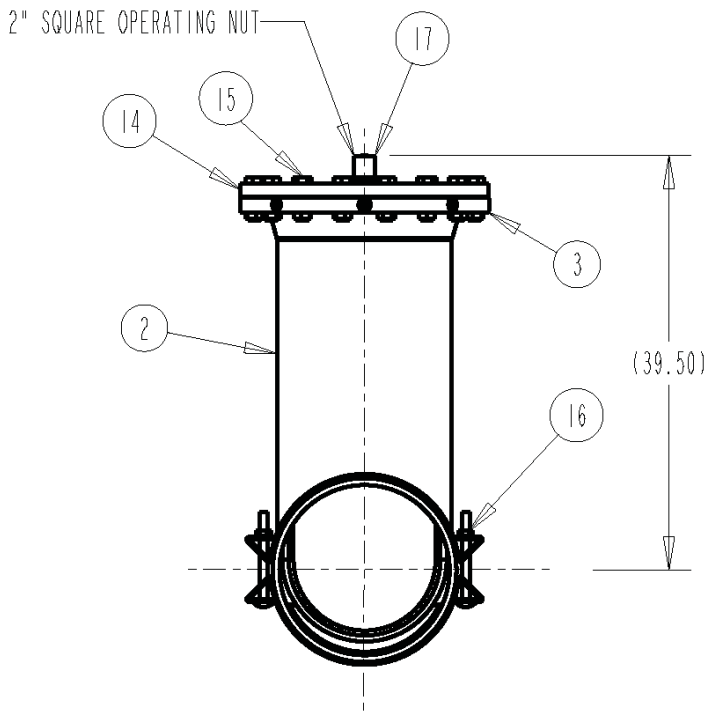
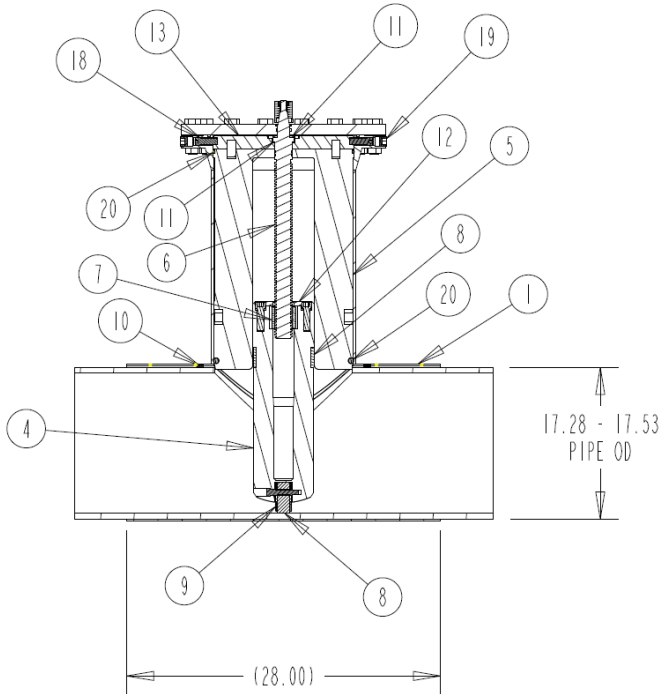


# IVP 250

## Valve Insertion System

### Product Cut Sheet

16" IVP 250  
250 PSI Rated Insertable Gate Valve



ITEM	DESCRIPTION	MATERIAL
1	VALVE BODY CLAMP	STAINLESS STEEL
2	VALVE BODY BRANCH	STAINLESS STEEL
3	VALVE BODY FLANGE	STEEL (PAINTED)
4	GATE*	CAST NYLON
5	GATE HOUSING	CAST NYLON
6	VALVE STEM**	STAINLESS STEEL
7	STEM NUT	ALUMINUM BRONZE
8	GATE SEALS	EPDM
9	PADDLE SHIELD	ALUMINUM (ANODIZED)
10	VALVE BODY GASKET	BUNA-N
11	THRUST WASHERS (2)	ACETAL
12	RETENTION PLATE	ALUMINUM
13	COMPLETION PLUG	ALUMINUM
14	TOP FLANGE***	CARBON STEEL (EPOXY COATED)
15	FLANGE NUTS AND BOLTS	STAINLESS STEEL
16	VALVE BODY NUTS, BOLTS, AND WASHERS	STAINLESS STEEL
17	OPERATING NUT****	DUCTILE IRON (PAINTED)
18	PINS (8)	STEEL (ZINC PLATED)/ BUNA-N
19	PLUGS (8)	STEEL (PAINTED)
20	GATE HOUSING O-RINGS (2)	BUNA-N
* CONTAINS STAINLESS STEEL HARDWARE		
** SEALS: TWO BUNA-N O-RINGS		
*** SEALS: BUNA-N X-RING AND BUNA-N/URETHANE LIP SEAL		
**** SECURED TO VALVE STEM WITH STAINLESS STEEL NUT AND ZINC PLATED STEEL LOCK WASHER		

#### OPTIONS AVAILABLE:

Open Direction:  Left(C.C.W.)  Right(C.W.)

#### APPROVED BY:

Name: \_\_\_\_\_

Title: \_\_\_\_\_

Date: \_\_\_\_ / \_\_\_\_ / \_\_\_\_