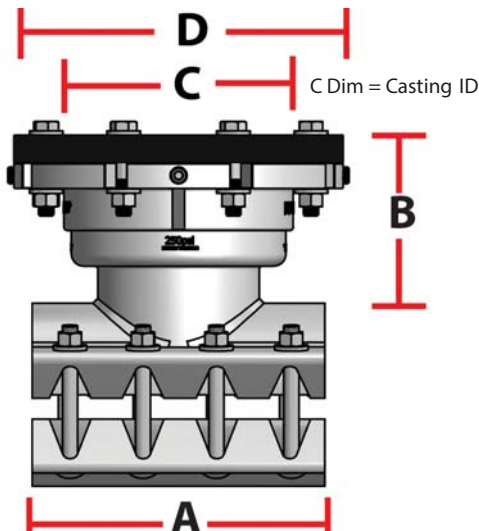
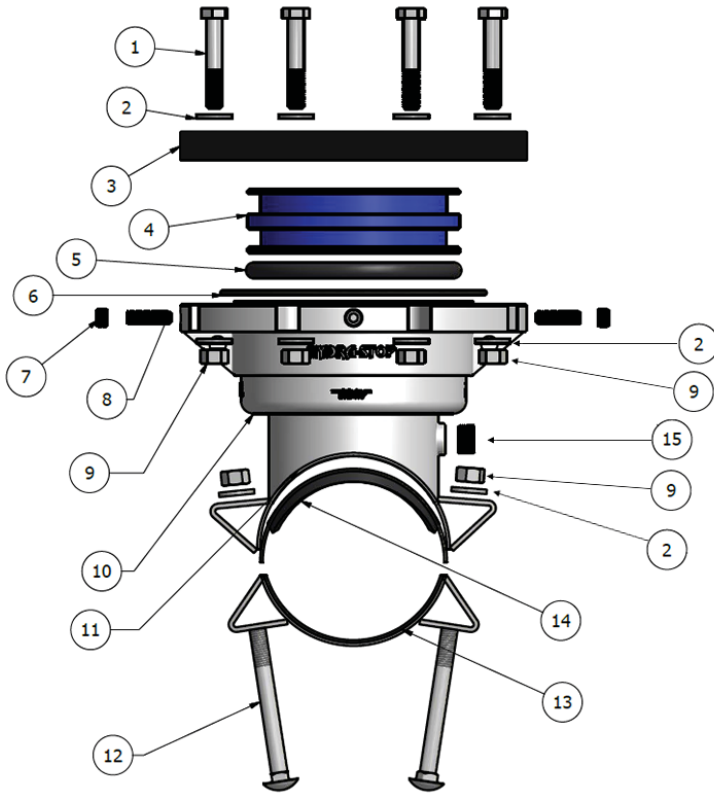


HSF 250™

Heavy Duty Line Stop Fitting - 4, 6, 8 inch Nominal Sizes

Product Cut Sheet



PARTS LIST			
ITEM	QTY	PART NUMBER	MATERIAL
1	8	BLIND FLANGE BOLTS	304 STAINLESS STEEL
2	24	BLIND FLANGE WASHERS (16) BODY MOUNT WASHERS (8)**	304 STAINLESS STEEL
3	1	BLIND FLANGE	EPOXY COATED CARBON STEEL
4	1	PIN STYLE COMPLETION PLUG	REINFORCED COMPOSITE POLYMER
5	1	COMPLETION PLUG O-RING	RUBBER, BLACK BUNA-N
6	1	FLANGE O-RING	RUBBER, BLACK BUNA-N
7	4	PIN PLUGS	304 STAINLESS STEEL
8	4	COMPLETION PLUG PINS	SAE GRADE 8 STEEL ZINC COATED
9	16	BLIND FLANGE NUT (8) BODY MOUNT NUT (8)**	304 STAINLESS STEEL*
10	1	HSF 250 FITTING BODY	304 STAINLESS STEEL
11	1	TOP MOUNTING BODY	304 STAINLESS STEEL
12	8**	BODY MOUNT CARRIAGE BOLTS	304 STAINLESS STEEL
13	1	BOTTOM MOUNTING BODY	304 STAINLESS STEEL
14	1	TOP BODY SEALING GASKET	RUBBER, BLACK NBR
15	1	TEST PORT PLUG	304 STAINLESS STEEL*

* Coated to prevent galling.

** 8" fitting requires 10 mounting bolts, nuts and washers.

Weights and Dims					
Size	A	B	C	D	Approx. Weight
4"	12"	7.501	8.4	13.5	113 lbs
6"	12"	6.92	8.4	13.5	118 lbs
8"	16"	5.571	8.4	13.5	126 lbs

Other Specifications
Minimum Test Pressure: 1.5 times system working pressure
Maximum Test Pressure: 375 psi
Maximum Working Pressure: 250 psi

APPROVED BY: _____

Name: _____

Title: _____

Date: ____/____/____

Proprietary Information: This property of Hydra-Stop shall not be used, reproduced or distributed without written consent. All design and invention rights are reserved. PATENTS PENDING